

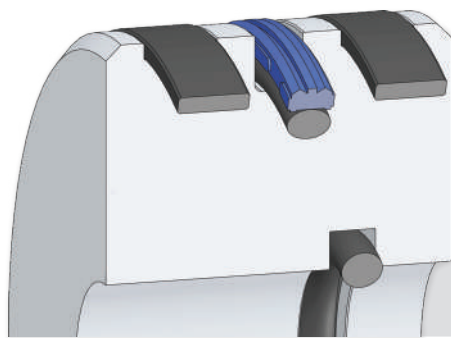


Sealing Solutions for  
Light Duty Applications

Global  
Sealing  
Solutions

[www.alpkaucuk.com](http://www.alpkaucuk.com)

# Piston Sealing Elements for Light Duty Applications



**A251** Piston Rod Guide Ring



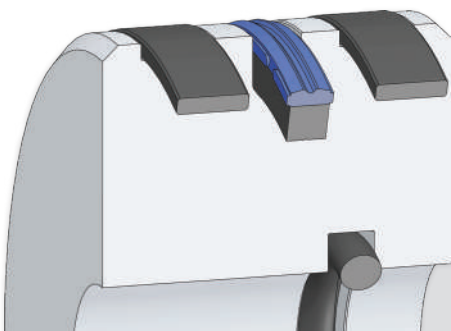
**O-Ring**



**A123** Piston Seal



- » Groove design suitable with ISO standards
- » A123 piston seal with easy installation and low friction force
- » Cost effective A251 guiding elements with wide range of sizes



**A251** Piston Rod Guide Ring



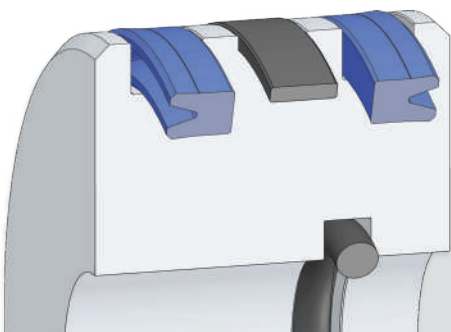
**O-Ring**



**A110** Piston Seal



- » Groove design suitable with ISO standards
- » A110 piston seal suitable for mid-duty applications and with rotation preventive design and low friction force
- » Cost effective A251 guiding elements with wide range of sizes



**A251** Piston Rod Guide Ring



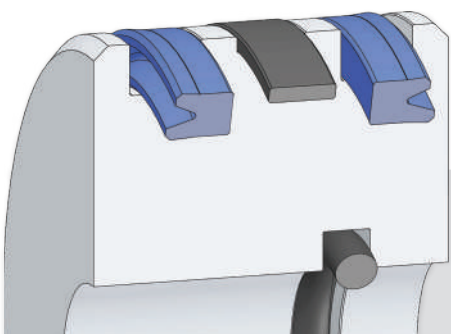
**O-Ring**



**A102** U-Ring Piston



- » A102 piston seals with low dynamic lip
- » Cost effective A251 guiding elements with wide range of sizes
- » Design that provides easy installation



**A251** Piston Rod Guide Ring



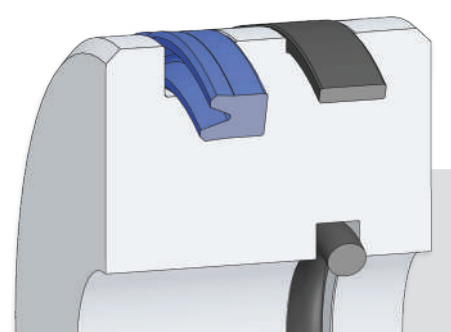
**O-Ring**



**A101** U-Ring Rod Piston Seal



- » A101 sealing element with very high availability and size variety
- » Cost effective A251 guiding elements with wide range of sizes
- » Design that provides easy installation



**A251** Piston Rod Guide Ring



**O-ring**

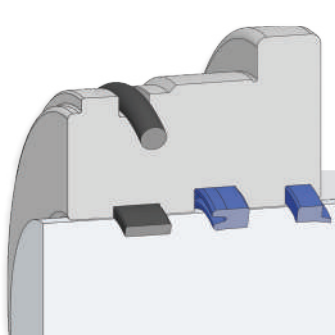


**A102** U-Ring Piston



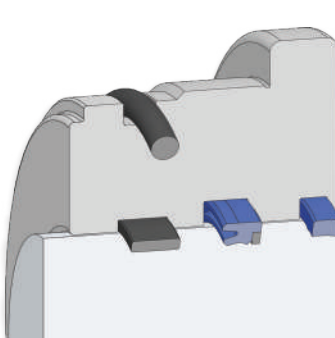
- » A102 piston seals with low dynamic lip
- » Cost effective A251 guiding elements with wide range of sizes
- » Single acting piston head design

# Rod Sealing Elements for Light Duty Applications



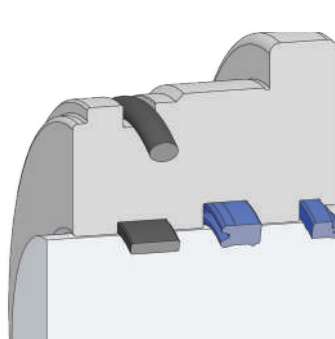
<b>A251</b> Piston Rod Guide Ring	<b>O-Ring</b>	<b>A151</b> U-Ring Rod	<b>A202</b> Wiper
-----------------------------------	---------------	------------------------	-------------------

- Availability with high size diversity
- Easy installation
- Guiding ability at medium loads (up to 40N/mm<sup>2</sup>)



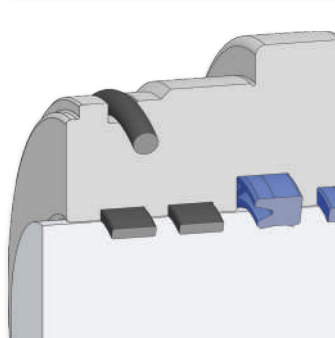
<b>A251</b> Piston Rod Guide Ring	<b>O-Ring</b>	<b>A153</b> U-Ring Rod	<b>A202</b> Wiper
-----------------------------------	---------------	------------------------	-------------------

- Guiding ability at medium loads (up to 40N/mm<sup>2</sup>)
- Easy installation
- Can be used safely at high pressures with back-up ring



<b>A251</b> Piston Rod Guide Ring	<b>O-Ring</b>	<b>A157</b> U-Ring Rod	<b>A201</b> Wiper
-----------------------------------	---------------	------------------------	-------------------

- A157 rod seal suitable for narrow grooves
- Low pressure performance
- A201 wipers providing extra protection against particles that come from the external environment



<b>A251</b> Piston Rod Guide Ring	<b>O-Ring</b>	<b>A154</b> U-Ring Rod	<b>A204</b> Wiper
-----------------------------------	---------------	------------------------	-------------------

- A154 rod nutring providing extra protection on dynamic lips with its double lip structure
- Guiding ability at medium loads (up to 40N/mm<sup>2</sup>)
- The design that prevents solid particles from entering the system from the external environment



<b>A251</b> Piston Rod Guide Ring	<b>O-Ring</b>	<b>A182</b> Rod Seal	<b>A202</b> Wiper
-----------------------------------	---------------	----------------------	-------------------

- Single-acting cylinder rod design
- Compact and simple groove design
- Size diversity
- A182 rod seal with high extrusion and long working life in high pressures

**Phone:**+90 232 328 15 99  
**Fax:** +90 232 328 15 96  
**E-mail:** info@alpkaucuk.com  
**Address:**MPIOSB. 7.Cadde No:7  
Menemen, Izmir/Turkey

